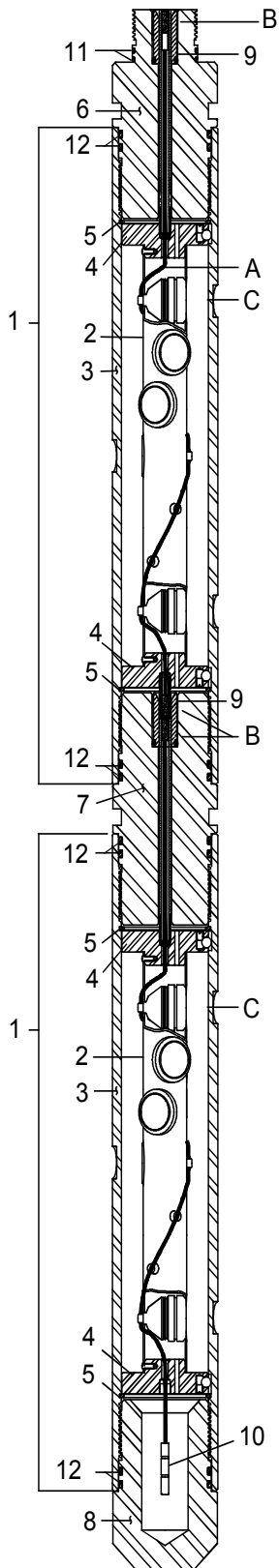
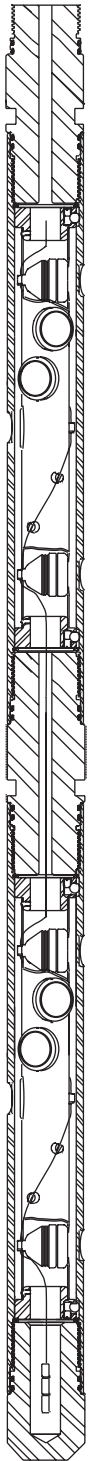


## Scalloped Gun System, 4-1/2" O.D. 5 spf, 60° Spiral System, GH, DP, BH & SDP



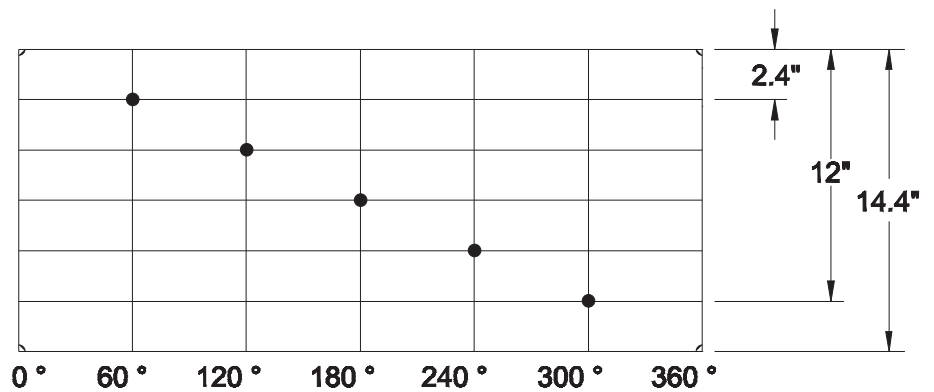
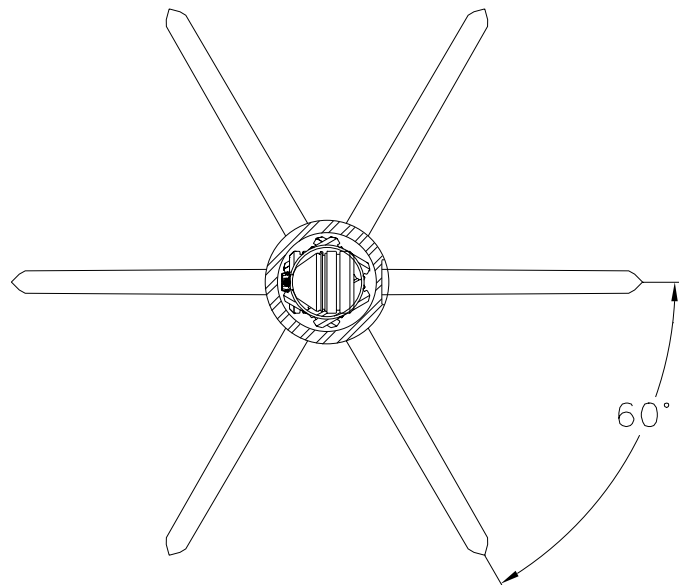
ITEM	PART NO.	DESCRIPTION
1	S45-0503-A21A	Shipping Assembly, 4-1/2" x 21', 5 spf, 60° Spiral
	S45-0503-A15A	Shipping Assembly, 4-1/2" x 15', 5 spf, 60° Spiral
	S45-0503-A11A	Shipping Assembly, 4-1/2" x 11', 5 spf, 60° Spiral
	S45-0503-A07A	Shipping Assembly, 4-1/2" x 7', 5 spf, 60° Spiral
	S45-0503-A04A	Shipping Assembly, 4-1/2" x 4', 5 spf, 60° Spiral
2	TAG-5010-135H	Tube Strip, 21', 5 spf, 60° Spiral
	TAG-5010-136H	Tube Strip, 15', 5 spf, 60° Spiral
	TAG-5010-137H	Tube Strip, 11', 5 spf, 60° Spiral
	TAG-5010-138H	Tube Strip, 7', 5 spf, 60° Spiral
	TAG-5010-139H	Tube Strip, 4', 5 spf, 60° Spiral
3	TAG-4500-721	Carrier 4-1/2" x 21', 5 spf, 60° Spiral
	TAG-4500-720	Carrier 4-1/2" x 15', 5 spf, 60° Spiral
	TAG-4500-723	Carrier 4-1/2" x 11', 5 spf, 60° Spiral
	TAG-4500-724	Carrier 4-1/2" x 7', 5 spf, 60° Spiral
	TAG-4500-725	Carrier 4-1/2" x 4', 5 spf, 60° Spiral
4	TAG-4500-089	End Plate (1)
	TAG-4500-089P	End Plate w/pin (1)
5	TAG-4500-081	Carrier Snap Ring (N-5000-375) (2)
6	TAG-4500-280L	Top Sub 4-1/2" Adapts to TCP or Wireline Systems
7	TAG-4500-281L	Tandem Sub 4-1/2"
8	TAG-4500-060	Bull Plug 4-1/2"
	TAG-4500-060S	Bull Plug 4-1/2" w/2-7/8" EUE pin on bottom
9	TCP-0100-275L	Booster Transfer Kit
	TCP-0100-275LT	Booster Transfer Kit - High Temp
10	DET-0010-001	Detonating Cord End Cover
11	OOO-N569-230	O-Ring, #230, 90 Duro Nitrile - see ref. section
	OOO-V569-230	O-Ring, #230, 90 Duro Viton - see ref. section
12	OOO-N569-342	O-Ring, #342, 90 Duro Nitrile - see ref. section
	OOO-V569-342	O-Ring, #342, 90 Duro Viton - see ref. section
-	TAG-4500-CEN	Centralizer Button, used on 7' through 21' (not shown)
	PUR-0600-112	Rivet, Aluminum Drive, used on 7' through 21' (not shown)
A	A570010	Detonating Cord - XHV, 80 gr., RDX - see ref. section
	A572010	Detonating Cord - XHV, 80 gr., HMX - see ref. section
B	DET-3050-429	Bi-Directional Booster
C	SDP-4500-411NT3	Charge, HMX, SDP, SUPER HERO
	SDP-4539-310	Charge, RDX, SDP-HERO HARD ROCK
	SDP-4539-410	Charge, HMX, SDP-HERO HARD ROCK
	SDP-4500-511NT3	Charge, HNS, SDP, SUPER HERO™
	SDP-4500-311NT3	Charge, RDX, SDP - NT3 - SUPER HERO™
	TAG-4500-411	Charge, HMX, GH / DP
	TAG-4500-311	Charge, RDX, GH / DP
	HSC-5000-321Z	Charge, RDX, DP
	TAG-5000-313Z	Charge, RDX, DP
	HSC-5000-325F	Charge, RDX, BH
	HSC-5000-425F	Charge, HMX, BH, Phantom™
	CAS-1795-001	Blank Charge Case, (non explosive)

## Scalloped Gun System, 4-1/2" O.D. 5 spf, 60° Spiral System, GH, DP, BH & SDP



SPECIFICATIONS		
PRESSURE RATING	117.2 Mpa	17,000 psi
TEMPERATURE	UP TO 206°C	UP TO 500°F
TENSILE STRENGTH	165 000 daN	370,000lbs
CARRIER THREAD	3-15/16" - 6 ACME	
TANDEM SHOT SPACING	0.37 m	1.22 ft
GUN WEIGHT LOADED	32.7 kg/m	22 lb/ft
TORSIONAL YIELD	14 400 N•m	10,650 lb-ft

Available for 18,000 psi upon request, Ref part numbers S45-0503-AxxD.



**Note:** Guns are available in standard lengths from 2 through 21 ft.

Gun lengths in increments of 0.5 ft are available by special order only.

Charges and ancillary components for higher temperature applications are available by Special Order.